



**SWA Water Australia**  
Water & Waste Water Engineers



# SWA OIL SEPARATORS

SWA WATER AUSTRALIA designs, manufactures and constructs industrial waste water treatment plants and manufactures industrial oil separators, solids separators & DAF units. In recent years companies within the SWA Water Group of Companies have manufactured hundreds of Oil Separators, solids separators & DAF units. These projects range from very small separators for workshops and service stations to large oil refineries; from small food processing plants to large abattoirs. SWA has a range of CPI style Oil Separators available as Cross Flow Interceptor (CFI) and Tilted Plate Interceptor (TFI) parallel plate gravity separators.



SWA Oil Separator, Shell Jakarta

#### Material available include:

- Standard material SS304
- Alternative materials available:
  - SS316
  - Painted carbon steel
  - Painted stainless steel
  - Duplex & super duplex stainless steel
- Modular Plate Packs for installation into concrete tanks
- Stainless steel and GRP plate packs



10 off Oil Separator sites for flow rates from 1,368cu.m/hr to 9,900cu.m/hr Malaysian Airports Terminal 2



TGAST Malaysia Oil Separator

#### SWA Oil Separators Range:

- Commercial range, from 1.5 m<sup>3</sup>/h to 5 m<sup>3</sup>/h
- Industrial range, from 10 m<sup>3</sup>/h up to 500 m<sup>3</sup>/h
- Modular Plate Packs up to 1,000 m<sup>3</sup>/h.

#### SWA Oil Separators at a glance:

- Treated effluent free oil content < 10 mg/l standard  
Separators also available for < 5mg/l treated effluent free oil content.
- No moving parts within the oil separator
- More than 500 Oil Separators in service
- Low maintenance, low operating cost, high efficiency
- Chemical and thermal emulsion breaking units
- Pilot Plants available
- In ground double jacketed tanks available

# WATER & WASTE WATER ENGINEERS PROCESS DESIGN & CONTROL

## Customised options include:

- Integral waste oil tank
- HLA in waste oil tank
- Pre-chambers for removal of grit and heavy solids
- Removable lids
- Gas blanketing

## Some clients include:



SWA 150cu.m/hr Oil Separator

## SWA Oil Separators For:

- Aircraft washing
- Car washes
- Chemical manufacturing
- Engineer re-conditionin
- Heavy duty washing
- Motor repair workshops
- Oil refineries
- Palm oil
- Paint manufacture
- Power stations
- Steel works
- Service stations
- Tank farm
- Transformer yards



SWA Oil Separator 120cu.m/hr, Thailand

## What makes SWA's Oil Separators better than others?

SWA's "CC" Range of co-current coalescing plate oil separators are modular in design and in concept. SWA can design an oil separator to suit specific operating conditions.

You nominate the following operating conditions:

- Flow rate
- Influent oil concentration
- Specific gravity of the oil
- Operating temperature
- Discharge oil concentration required

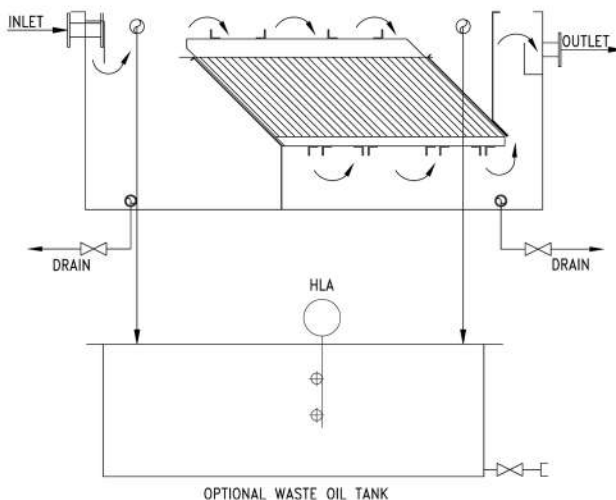
SWA will size the oil separator needed for your specific conditions & SWA will guarantee the performance of the oil separator for your conditions.



SWA Oil Separator Plate Packs

SWA has a 20 year warranty on its oil separators – some conditions apply – ask SWA for details.

## SWA OIL SEPARATOR FLOW DIAGRAM



Rio Tinto, 75cu.m/hr Oil Separator with waste oil tank



SWA CPI Plate Packs

## SWA WATER GROUP [www.swawater.com.au](http://www.swawater.com.au)

SWA WATER AUSTRALIA PTY LTD  
Unit 9, 9 Fitzpatrick Street. Revesby,  
NSW 2212 Australia  
PO Box 235 Revesby North NSW 2212  
Tel: (61 2) 9773 0845 Fax: (61 2) 9526 2795  
Email: [sales@swawater.com.au](mailto:sales@swawater.com.au)

SWA Water Malaysia Sdn Bhd  
D-2-2 Megan Avenue 1  
189 Jalan Tun Razak,  
50400 Kuala Lumpur, Malaysia  
Tel: +603 2181 3889  
Fax: +603 2161 3889  
Email: [khailash@swawater.com.au](mailto:khailash@swawater.com.au)